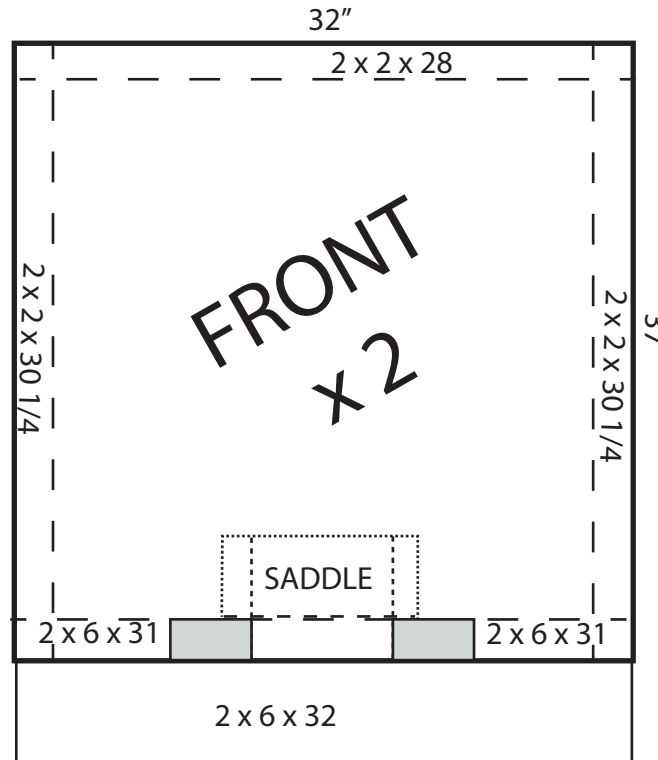
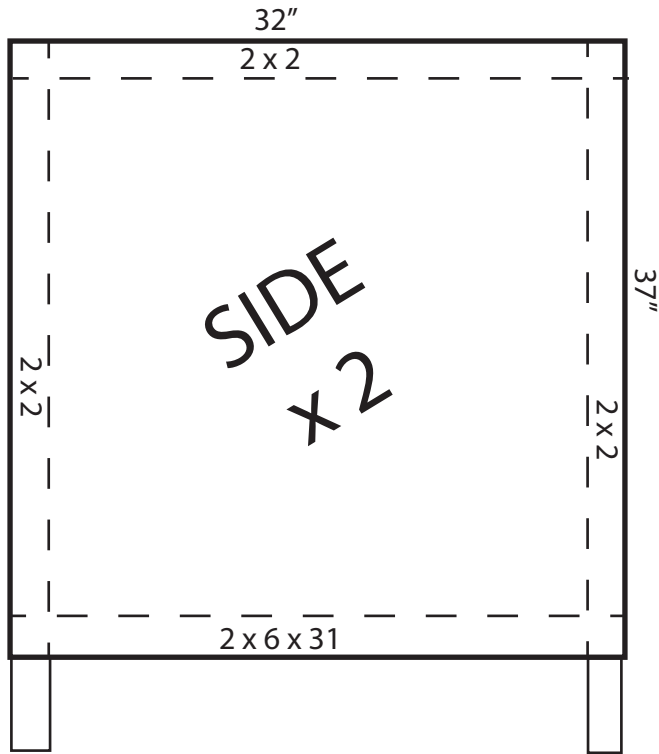


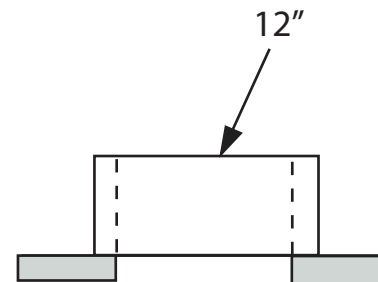
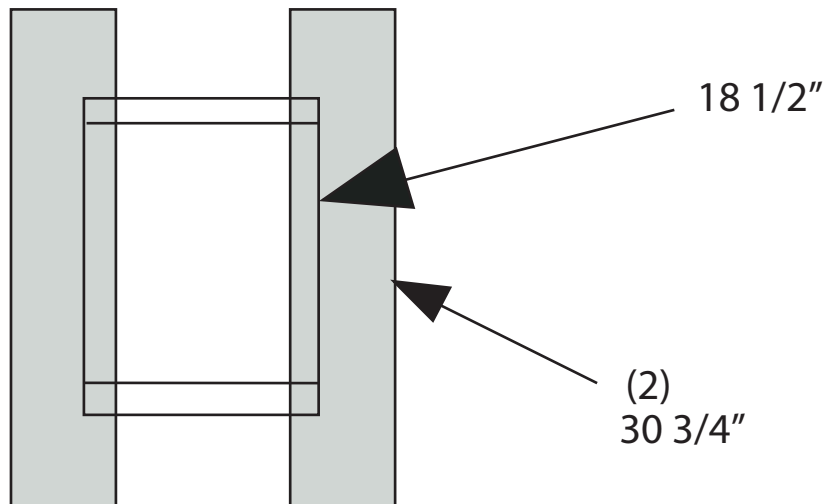
ENGINE CRATE INSTRUCTIONS



- | | | |
|-------------|---------|------------|
| 3/8 PLYWOOD | 2 x 6 | 2 x 2 |
| (3) 32 x 32 | (2) 32" | (4) 30 1/4 |
| (2) 32 x 37 | (2) 31" | (2) 28 |
| | | (2) 28 3/4 |

2 x 6 CONSTRUCTION

- (2) 12"
- (2) 18 1/2"
- (2) 30 3/4"



***NOT TO SCALE**

LC ENGINEERING